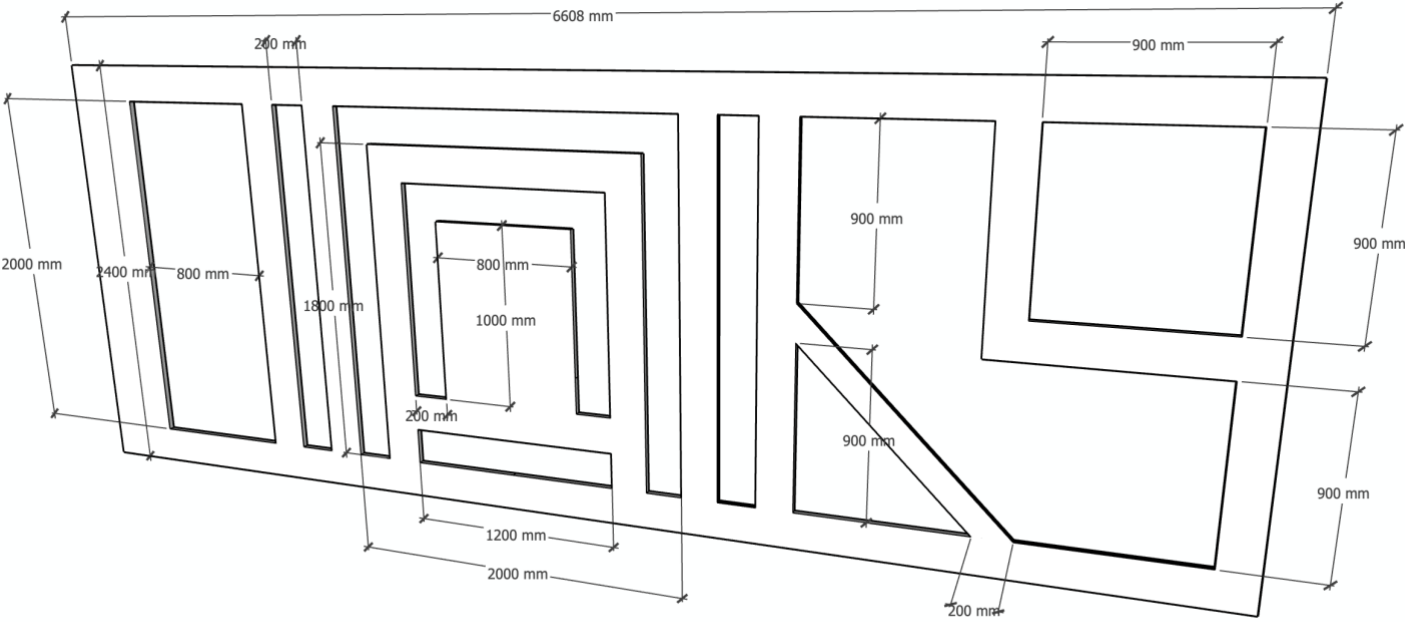


BIL. SEBUTHARGA/QUOTATION REF: [UBD/Q/154/2022 - \[G\]](#)
 Quotation for: “EXHIBITION FABRICATIONS FOR CONVOCATION
 EXHIBITION 2022” (OPEM)

ITEM NO	DETAILS	QTY
1	<p>WOOD PATTERN OVERLAY</p> <p>Fabrication and installation of wood pattern overlay of sizes 6608mm x 2400mm x 200mm onto existing panels in black paint finishing.</p> <p>*refer to technical drawings for measurement and pattern details</p>	1
2	<p>BRONZE STICKER</p> <p>Supply and installation of bronze sticker of 6010mm x 2000mm according to item 1</p> <p>*Refer to technical drawings for sticker placements</p>	1
3	<p>STICKER DECALS</p>	
3.1	<p>UBD SIGNAGE Supply and installation of sticker letter decals of size 800mm x 700mm</p>	1
3.2	<p>PROJECT 1 SINGANE Supply and installation of sticker letter decals of size 2000mm x 100mm</p>	1
3.3	<p>PROJECT 2 SINGANE Supply and installation of sticker letter decals of size 1000mm x 100mm</p>	1
4	<p>PROJECT POSTERS</p> <p>Supply and installation of project posters in full color printing on foam base of size 1000mm x 600mm</p>	2
5	<p>MOUNTING AND INSTALLATION OF EXISTING 75” TV ONTO EXISTING PANEL</p>	1
6	<p>BOOK HOLDER</p>	1

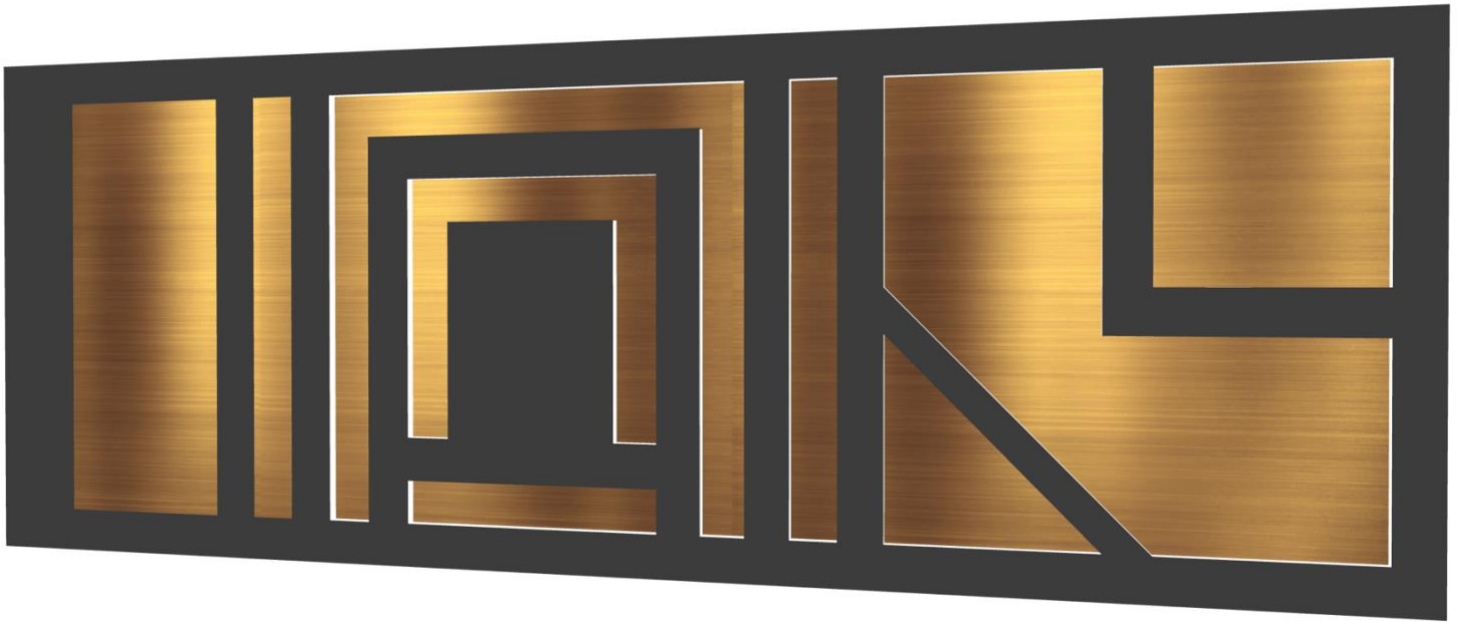
	Supply and installation of book holder of size 263mm x 108mm x 429mm to be mounted onto existing panel *Refer to technical drawings	
7	INSTALLATION OF EXISTING POWER POINTS	2
8	UNINSTALLATION AND STORAGE OF EXHIBITION ITEMS INTO UBD STORAGE AFTER EXHIBITION	

ITEM 1

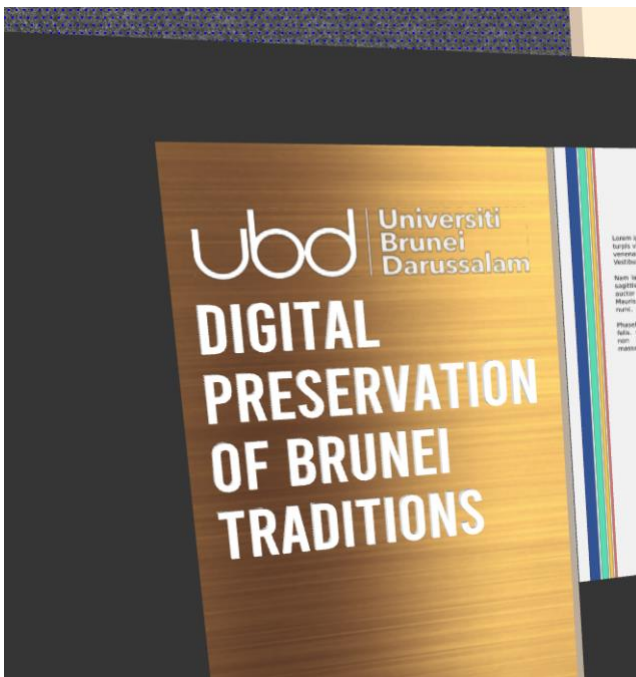


ITEM 2

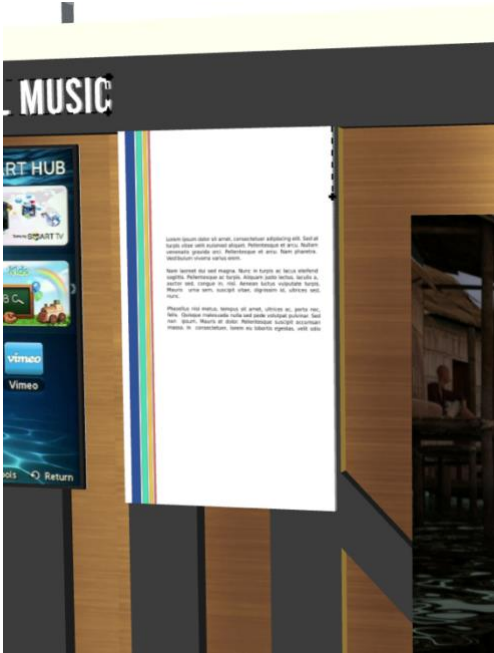
Bronze Stickers in between ITEM 1 placements



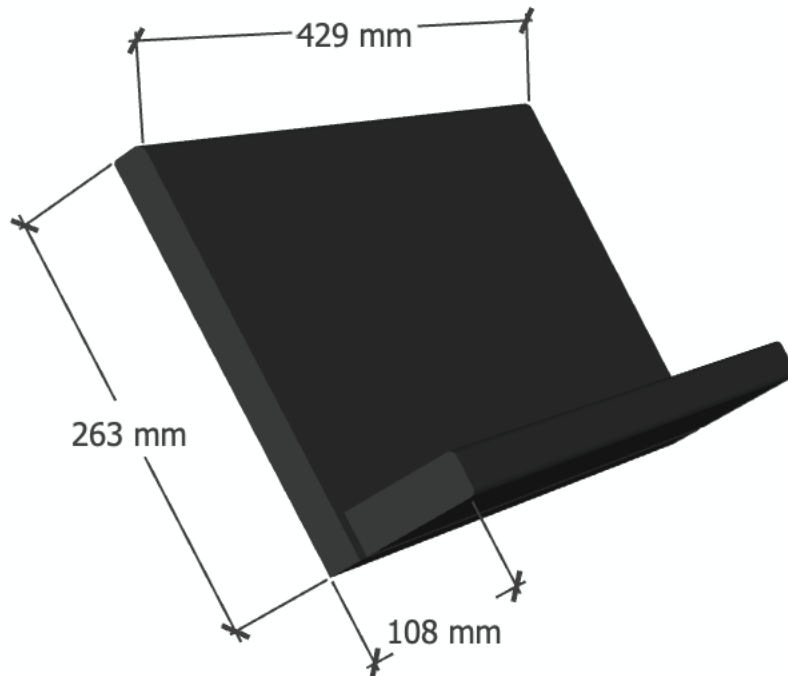
ITEM 3



ITEM 4



ITEM 6



FINAL LAYOUT

